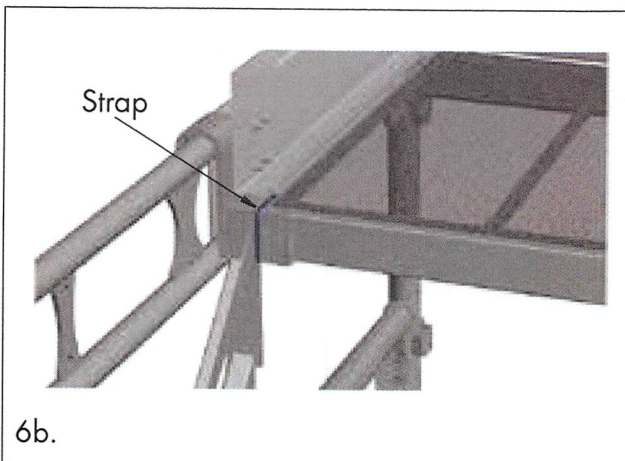
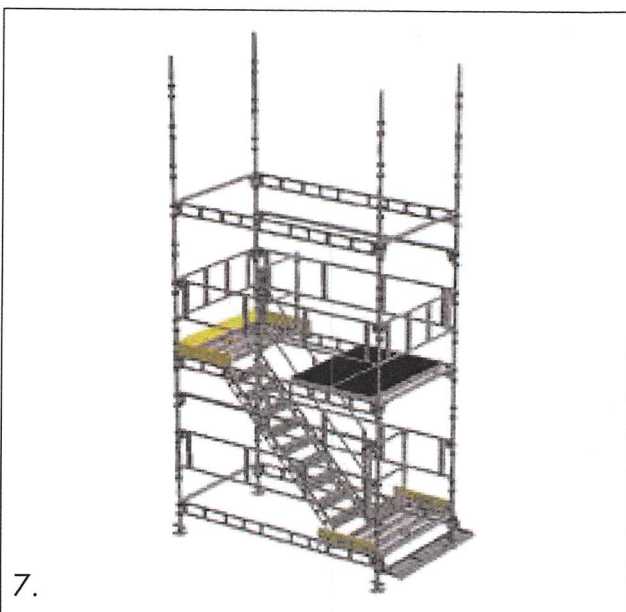


**6a.** The stair flight should be locked in the landing using locking pins (2 per flight).



**6b.** For traditional stair tower, in the event of anticipated excessive wind conditions, it is recommended that the flights are secured (at the outboard top edge) by the use of a suitable, disposable strap.



**7.** Lift up the erection platforms to the next level and install the next set of standards, transoms and ledger beams for the third lift. Install toeboards.