



HAKI® SAFETY ALWAYS: TECHNICAL BULLETIN

HAKI Stairs

Introduction

Following an incident on a customer site that a client was working on, which saw a component come loose from a HAKI traditional stair, HAKI have worked to identify the cause of this issue and develop solutions. The incident involves the guardframe protecting the otherwise open area adjacent to the top of the stair flight on the top landing only (1 per stair irrespective of height); this guardframe is known as a "P-Frame" or technically "Top Guard Frame SGS", shown in Fig. 1 and Fig. 2. In-situ erected in top lift arrangement Fig. 3.



Fig. 1

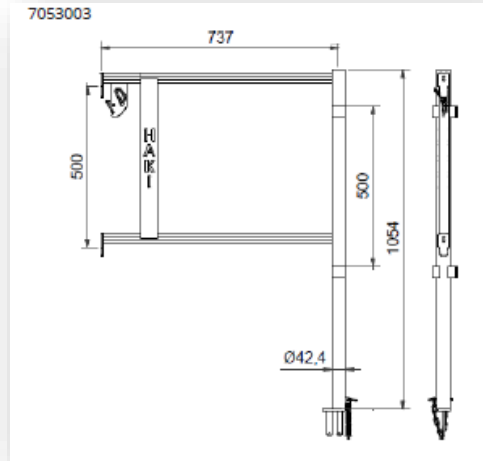


Fig. 2

For Symmetrical (MK2) and Traditional (MK1) Stair Tower.
Punched marking with Logo, Production site and Production year.
Top Guard Frame SGS has been manufactured since 2014.

| HAKI Code | Weight (kg) |
|---------------------|-------------|
| Top Guard Frame SGS | |
| 7053003 | 7.6 |

Top Guard Frame (7053000) was replaced by Top Guard Frame SGS (7053003) in 2014.
Visual difference between Top Guard Frames.
Top GuardFrame SGS7053003 Top Guard Frame 7053000

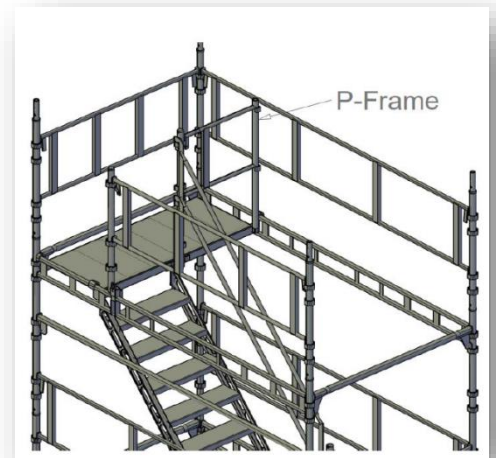
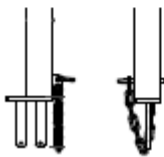


Fig. 3

TYPE

Bulletin Issue #: **TB/001**
HAKI STAIR P-FRAME MK1/MK2

Date of Issue:
3 July 2019

In Force Until:
July 2019 onwards



HAKI® SAFETY ALWAYS: TECHNICAL BULLETIN

The “P-frame” comes in three versions.

The MK1 has the shortest tongue at around 40mm long and is the most prone to lifting out of the pocket – see Fig. 4

The MK2 has a longer tongue (usually painted dark red) at around 60mm long that can only be lifted out of the pocket with force and if trying to dislodge – see Fig. 5

The MK3 has the longest tongue and a hole to pin it so it cannot come out of the pocket; this item is suitable for use and stairs erected using this component are not affected by this bulletin – see Fig. 6.



HAKI MK1 – P-Frame before 2007. Addition of Adapter 35 and Double Coupler (Fig. 4)



HAKI MK2 – P-Frame before 2018. Addition of Adapter 35 and Double Coupler (Fig. 5)



HAKI MK3 – P-Frame after 2018. Pin and chain connection ‘No additional coupler needed’ (Fig. 6)

TYPE

Bulletin Issue #: **TB/001**
HAKI STAIR P-FRAME MK1/MK2

Date of Issue:
3 July 2019

In Force Until:
July 2019 onwards

HAKI® SAFETY ALWAYS: TECHNICAL BULLETIN

For the MK1 and MK2 versions, HAKI have offered the solutions below (the MK3 version is OK to use as it is). **It is recommended that all stairs erected using MK1 and MK2 "P-Frames", currently standing and moving forward, are fitted with one of the solutions below to enhance safety.**

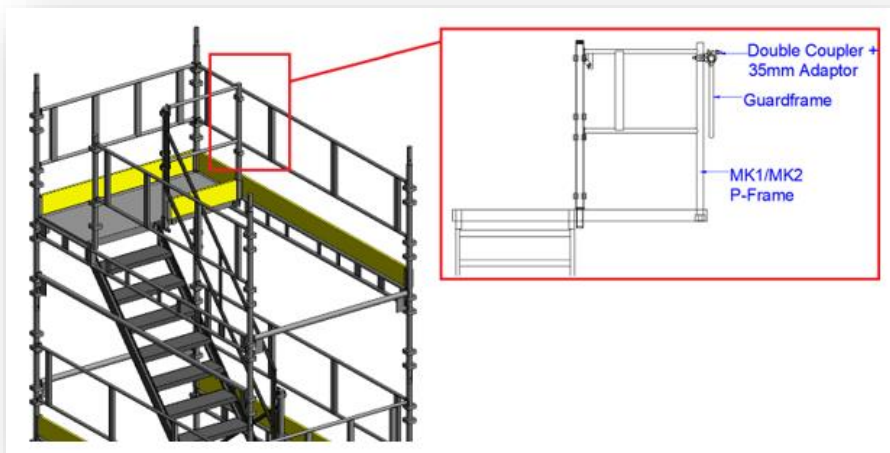


Fig. 7 shows the solution (1) when exiting the end of the stair tower or to the long side nearest the top stair flight; fix the upright of the P-frame to the guardrail using the HAKI extender sleeve and a drop forged swivel coupler.

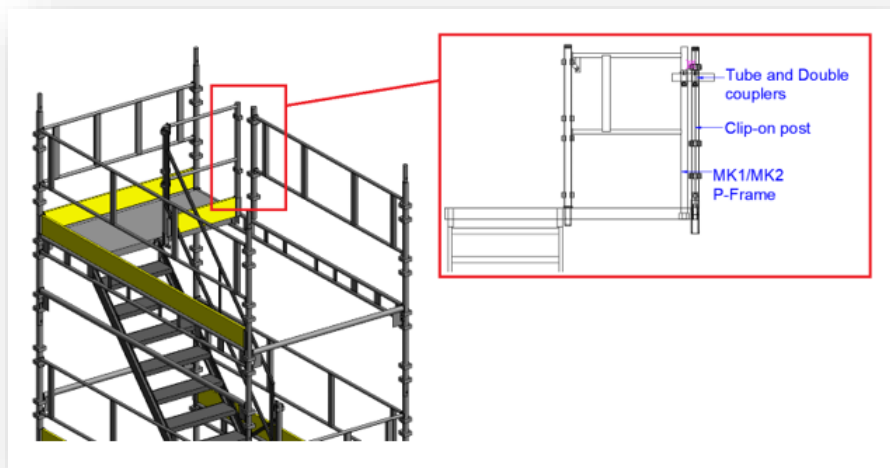


Fig. 8 shows the solution (2) when exiting the stair tower to the long side furthest from the top stair flight; fix the upright of the P-frame to the adjacent HAKI standard/puncheon using a short tube and 2 No. double couplers (with bolt and tube ends adequately protected using plastic covers).

If you are in any doubt as to the contents of this bulletin, or require further information or advice, contact Charles Stratford (Engineering Manager) for advice at charles.stratford@HAKI.co.uk or +44 7950 292739. The 'HAKI STAIR USER GUIDE' will be updated and include these recommendations as of July 19.

TYPE

Bulletin Issue #: **TB/001**
HAKI STAIR P-FRAME MK1/MK2

Date of Issue:
3 July 2019

In Force Until:
July 2019 onwards

Page 3 of 3